



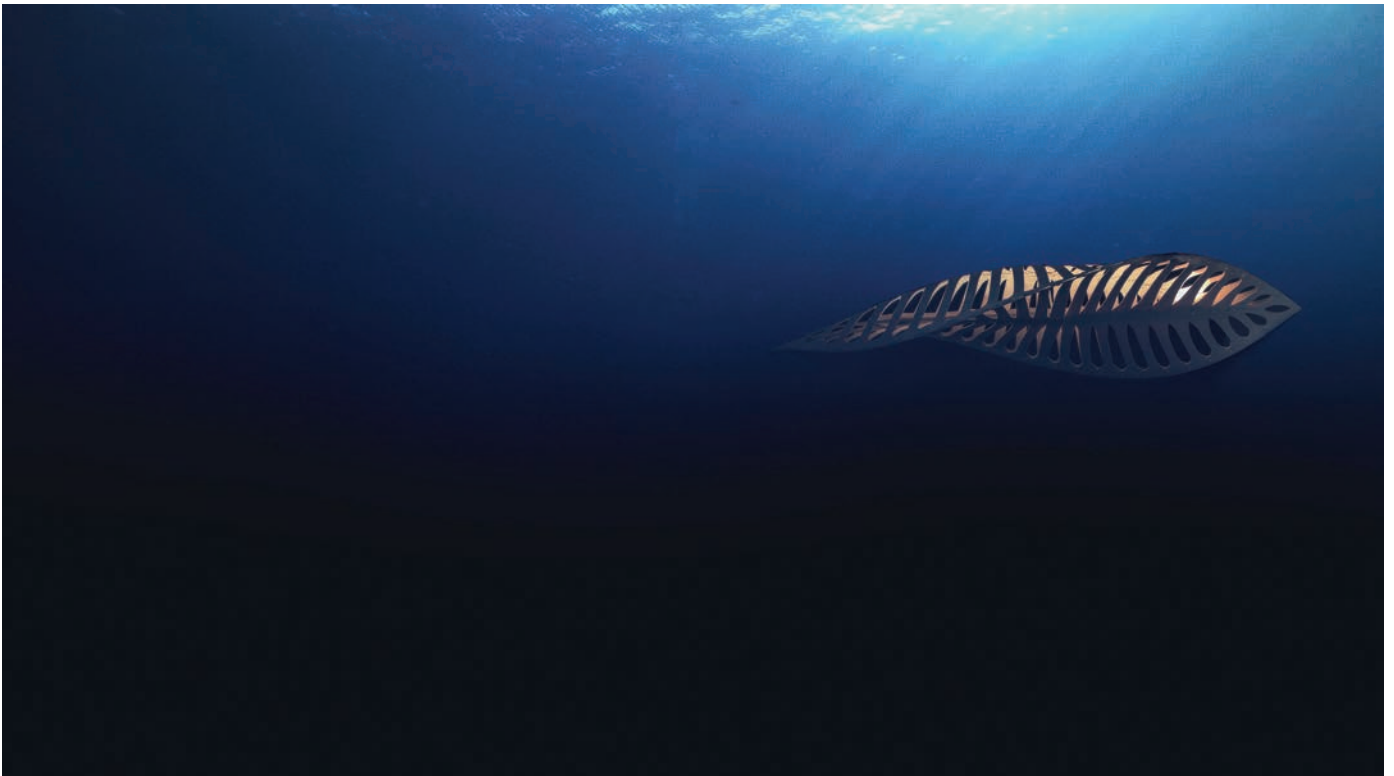
Navicula



Navicula

Navicula is derived from nature, in this case from one of the many microscopic diatoms that float around in the world's oceans. The flowing, segmented form is shipped as flatpack and assembled on site with push-in nylon clips. The thin curved pieces of CNC-cut bamboo plywood create a flowing structure that also casts magical patterns. It is lit from within a row of LED pin-point lights, the light source is aimed upwards to create a soft ambient glow.

Navicula is available in 3 sizes, Small, Medium & Large. The plywood finish can be either raw bamboo or painted, offering a range of options.



Features

Shipped Kitset

Seed System kitset lightshades are on average 1/30th of the volume of the assembled light. This aims to help minimize the effects of shipping and to reduce the design's environmental footprint.

Warranty

This light is warranted for three years from date of purchase for failure of parts.

Care Instructions

All lights are intended for use in dry interior conditions only and can be cleaned with a soft cloth dampened slightly in warm water when the light is switched off. Do not use detergents.

EPD Certified

An EPD is a standardised and verified way of quantifying the environmental impacts of a product, based on a consistent set of rules that have been developed through a stakeholder consultation process.



Compliance



CE



AS/NZS

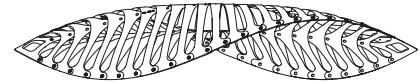
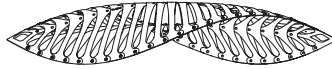
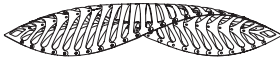
(Declarations of conformity available on request).

Navicula Small
Electrical Components
Hanging Components
Assembly Instructions





Technical Data



Small

Medium

Large

	Small	Medium	Large	
Dimensions	Width: 570mm / 22" Height: 200mm / 8" Length: 1440mm / 57" Weight: 2kg / 4lb	Width: 900mm / 35" Height: 380mm / 15" Length: 1950mm / 77" Weight: 3kg / 7lb	Width: 1000mm / 39" Height: 450mm / 18" Length: 2500mm / 98" Weight: 6kg / 14lb	
Cordset	5m / 16.4ft	5m / 16.4ft	5m / 16.4ft	
Material	Bamboo plywood (Sourced from FSC accredited factory)	Bamboo plywood (Sourced from FSC accredited factory)	Bamboo plywood (Sourced from FSC accredited factory)	
Fasteners	Nylon	Nylon	Nylon	
Suspension	2 x 5m Suspension Wires	2 x 5m Suspension Wires	2 x 5m Suspension Wires	
Packaging	(Partially assembled) 1000mm x 770mm x 110mm 40"x 31" x 4.3" 0.0847m ³ / 2.99ft ³ 6.2kg / 13.66lb	(Partially assembled) 1060mm x 770mm x 110mm 42"x 31" x 4.3" 0.0898m ³ / 3.17ft ³ 7.7kg / 16.9lb	(Partially assembled) 1280mm x 925mm x 130mm 50"x 36" x 5" 0.154m ³ / 5.4384ft ³ 13kg / 28.66lb	

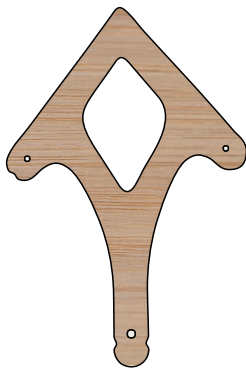
Finishes

We offer 12 stock finish options for Navicula. We use low VOC acrylic paint and it is most commonly used on the interior of the light. We can also produce lights in other finishes or colours by special order. All lights are made from sustainably grown bamboo plywood sourced from an FSC accredited factory.



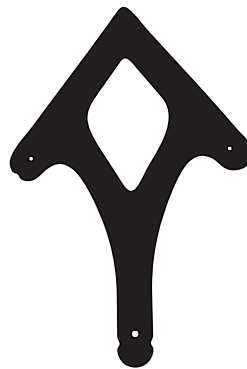
Raw Finish

Bamboo

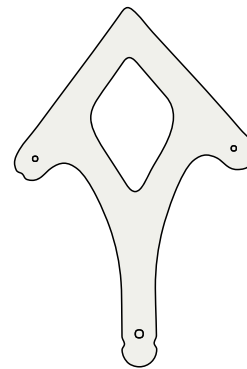


Painted 2 Sides

Black

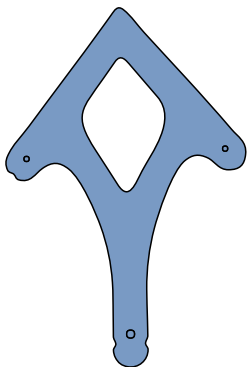


White

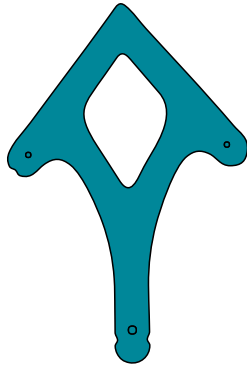


Painted 1 Side

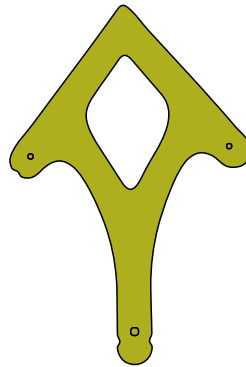
Blue



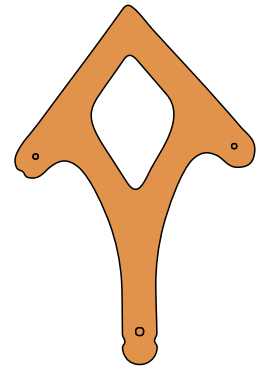
Aqua



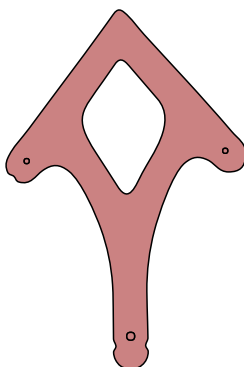
Lime



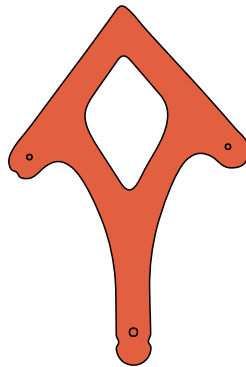
Orange



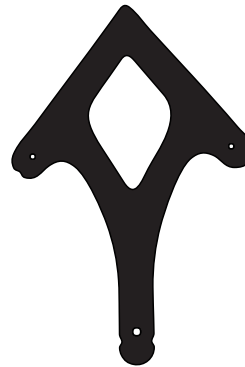
Pink



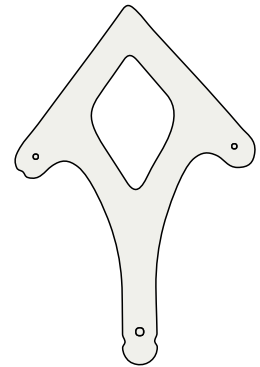
Red



Black



White





Bamboo

Aqua

Lime



Red

Orange

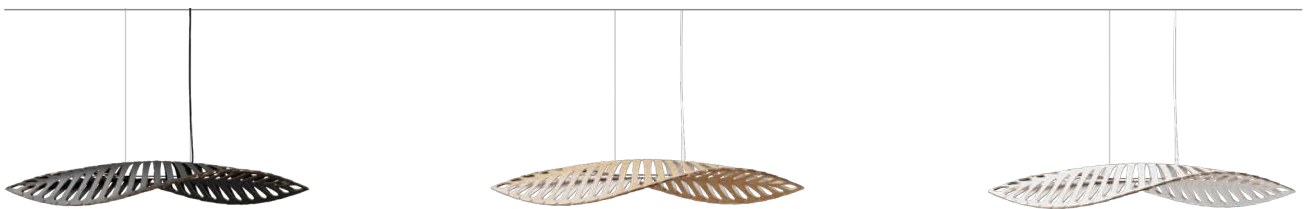
Blue



Pink

Black 1 Side (Outside)

Black 1 Side (Inside)



Black 2 Sides

White 1 Side

White 2 Sides

Installation

You will need

Fixings for cone gripper and canopy (fixing screws NOT SUPPLIED).

Note: Choose appropriate hardware to attach base plate (Fig.1) to ceiling substrate.

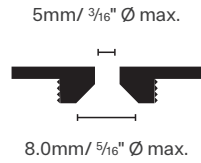


Fig 1. Base Plate

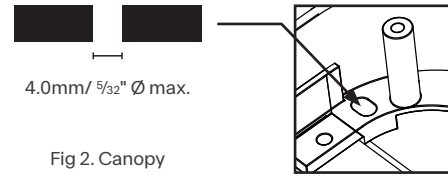
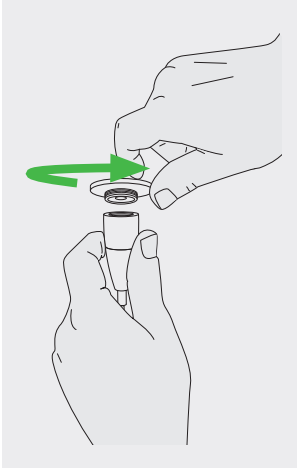
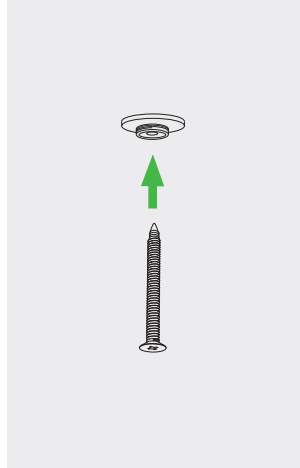


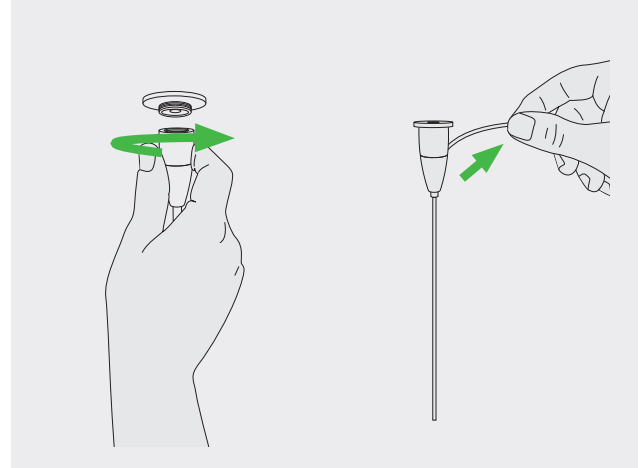
Fig 2. Canopy



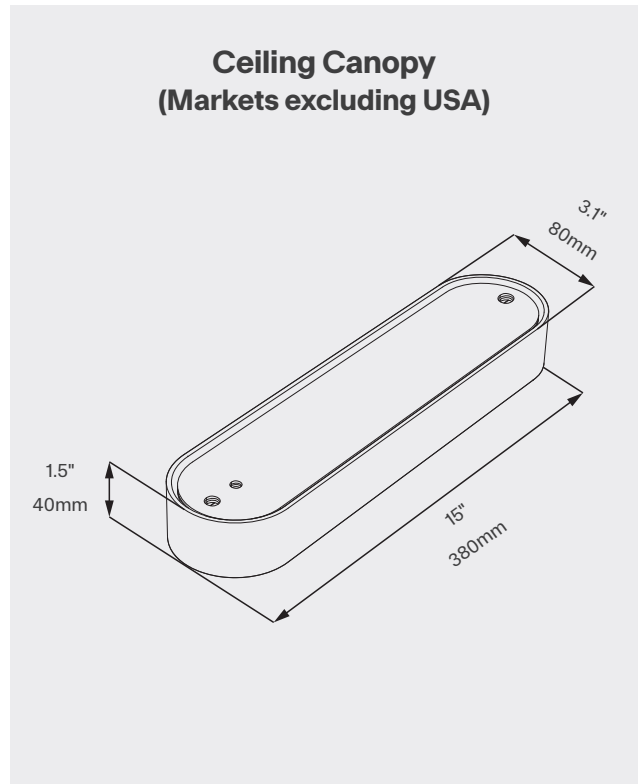
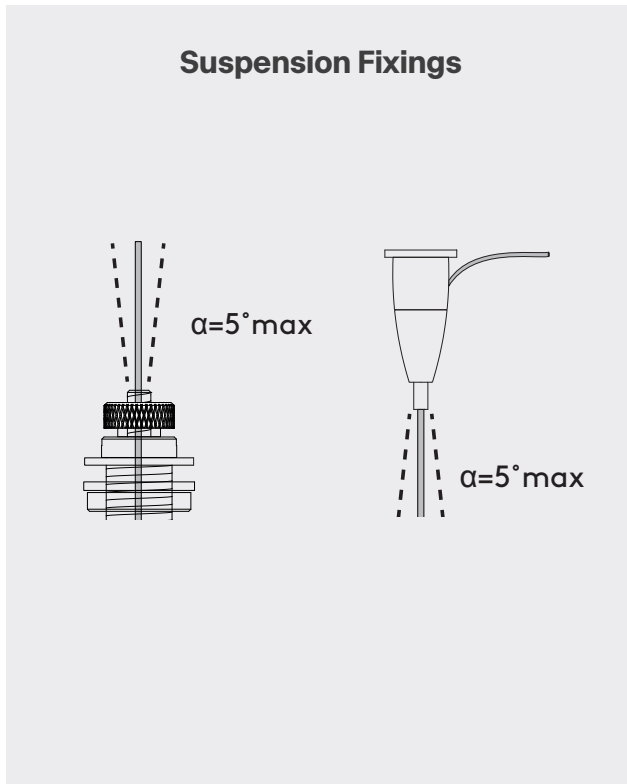
Step 1.
Unscrew baseplate.



Step 2.
Use appropriate fixing screw to mount base plate (Fig.1).



Step 3.
Remove cable from cone. Screw cone back onto baseplate. Re-insert cable and level light. Once desired position is set, trim excess cable.



(Fig 2) Canopy

Installation

Driver/Transformer position option 1: Surface mounted ceiling canopy

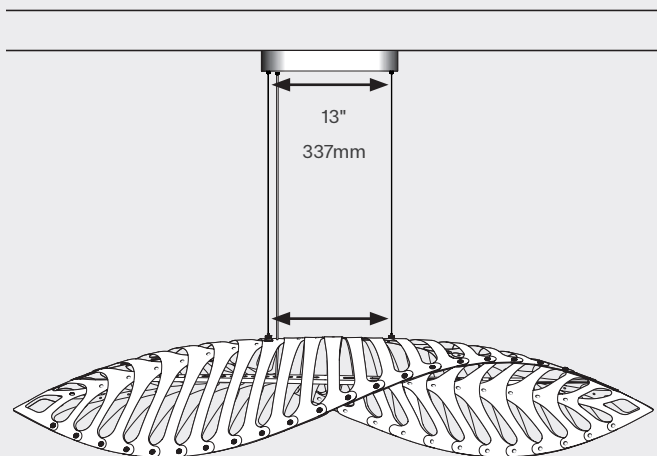
Small

Electric details (Rest of the world)

LED LIGHT BAR
Warm white LED Strip, 24VDC, 8W
2700K

DRIVER / TRANSFORMER
Tridonic, 220-240VAC, 50/60Hz
* Dimmable

CEILING CANOPY
1kg / 2.2lb



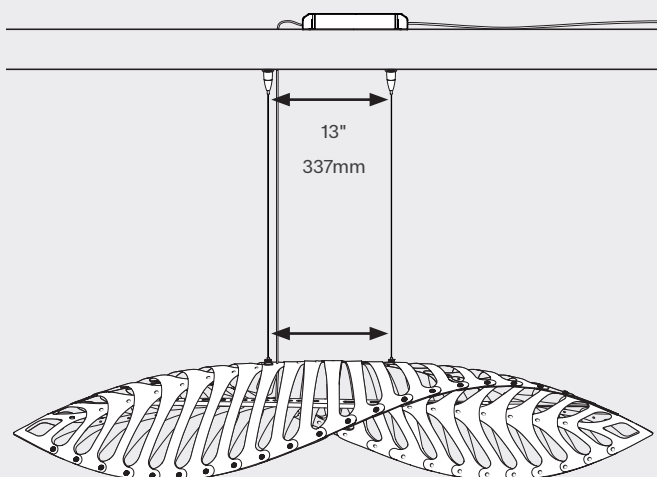
Driver/Transformer position option 2: Remote location (not using canopy)

Small

Electric details (Rest of the world)

LED LIGHT BAR
Warm white LED Strip, 24VDC, 8W
2700K

DRIVER / TRANSFORMER
Tridonic, 220-240VAC, 50/60Hz
* Dimmable

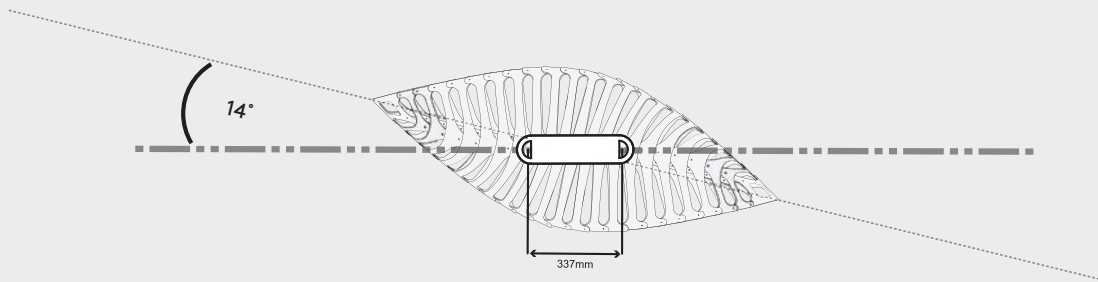


Installation

Navicula naturally hangs at 14 degree difference to alignment of canopy.

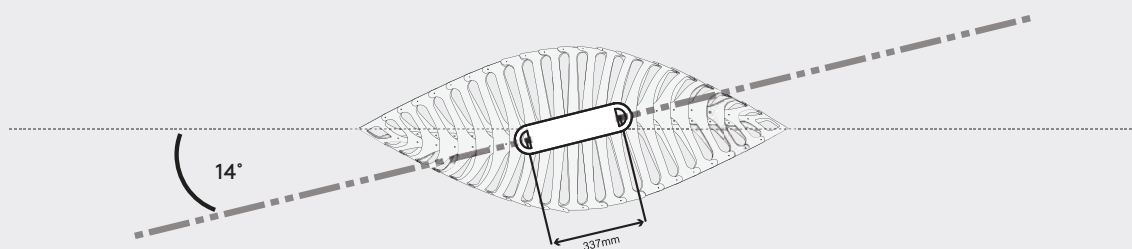
Small

a



To align canopy to an edge see diagram a.

b



To align Navicula to an edge see diagram b.

Installation

Driver/Transformer position option 1: Surface mounted ceiling canopy

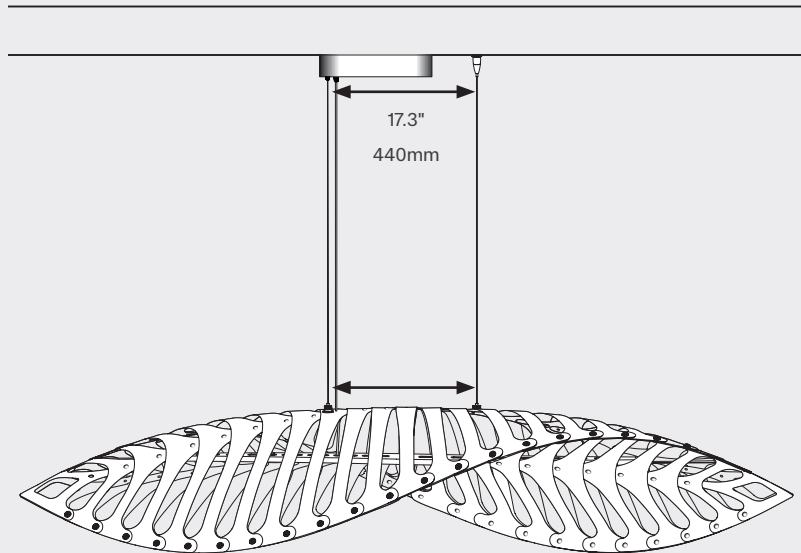
Medium

Electric details (Rest of the world)

LED LIGHT BAR
Warm white LED Strip, 24VDC, 11W
2700K

DRIVER / TRANSFORMER
Tridonic, 220-240VAC, 50/60Hz
* Dimmable

CEILING CANOPY
1kg / 2.2lb



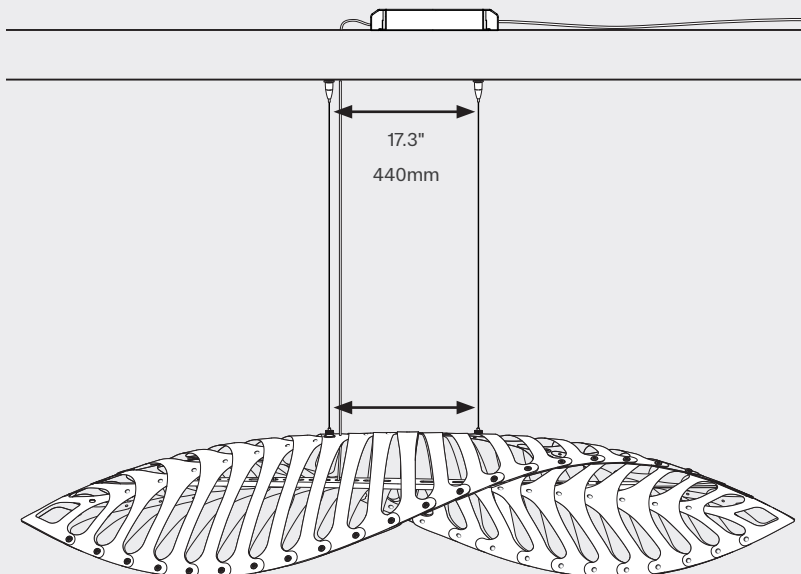
Driver/Transformer position option 2: Remote location (not using canopy)

Medium

Electric details (Rest of the world)

LED LIGHT BAR
Warm white LED Strip, 24VDC, 11W
2700K

DRIVER / TRANSFORMER
Tridonic, 220-240VAC, 50/60Hz
* Dimmable

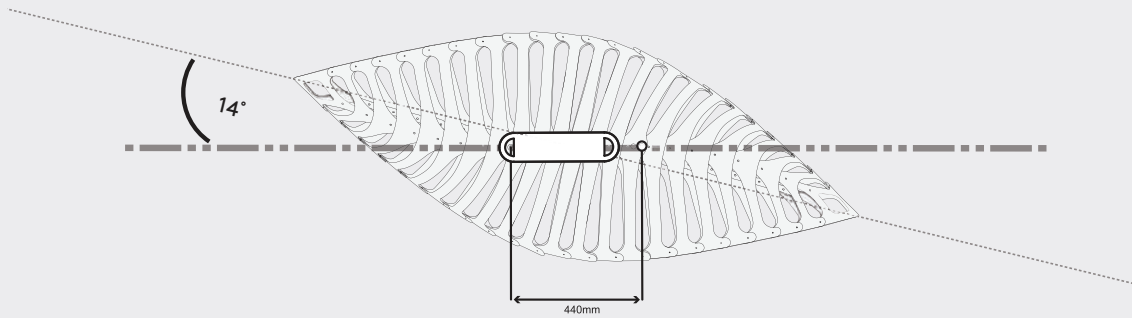


Installation

Navicula naturally hangs at 14 degree difference to alignment of canopy.

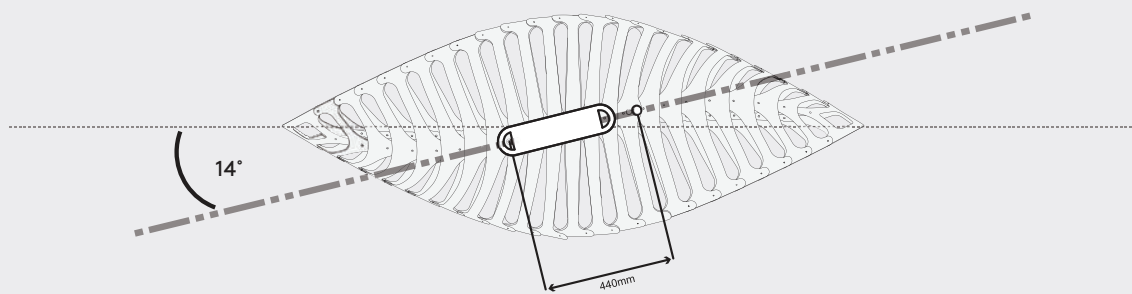
Medium

a



To align canopy to an edge see diagram a.

b



To align Navicula to an edge see diagram b.

Installation

Driver/Transformer position option 1: Surface mounted ceiling canopy

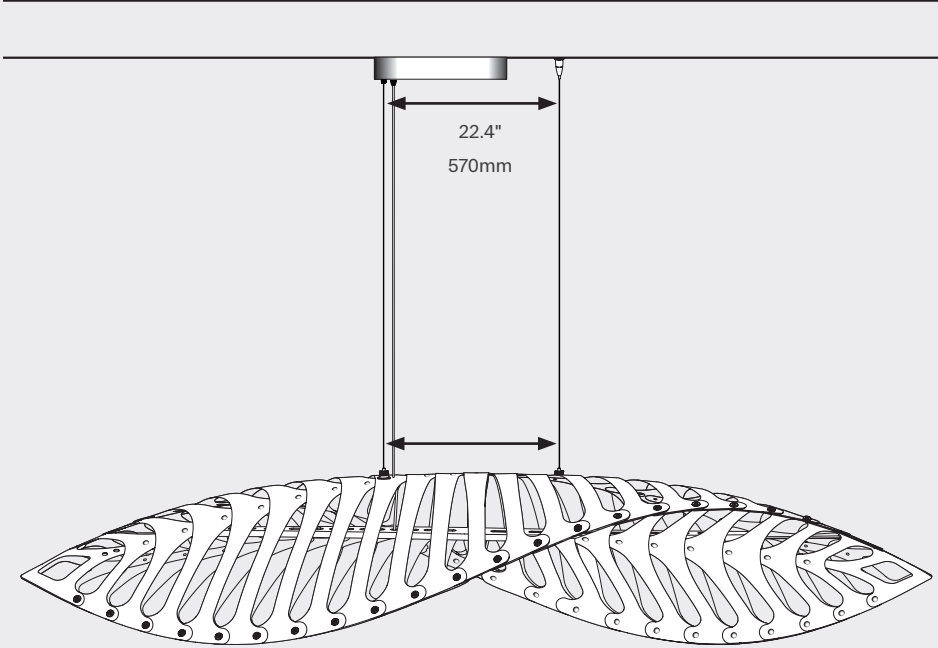
Large

Electric details (Rest of the world)

LED LIGHT BAR
Warm white LED Strip, 24VDC, 18W
2700K

DRIVER / TRANSFORMER
Tridonic, 220-240V, ac 50/60Hz
* Dimmable

CEILING CANOPY
1kg / 2.2lb



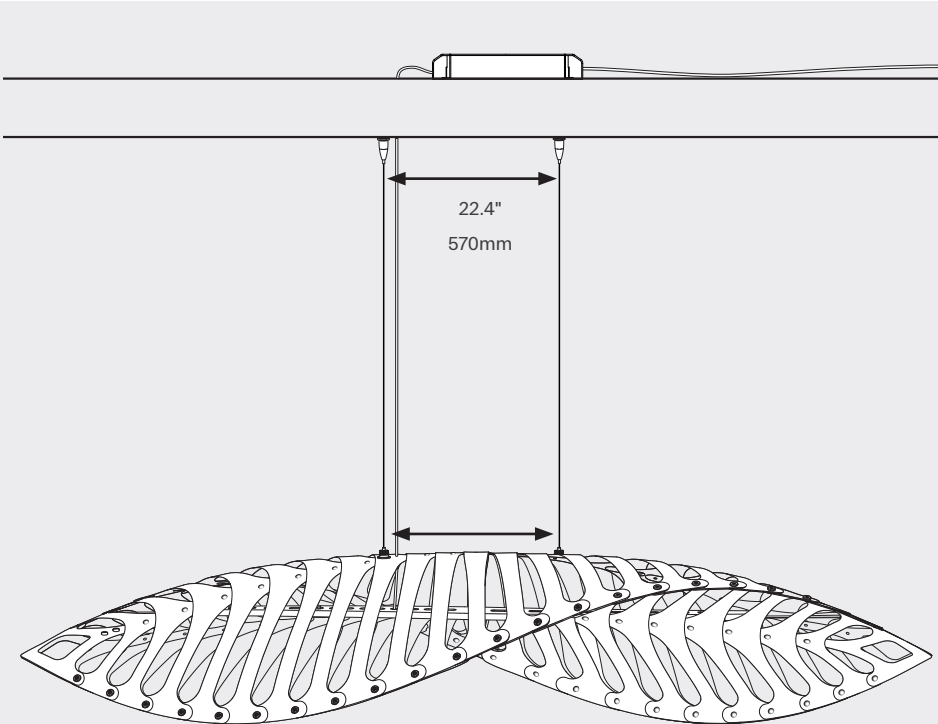
Driver/Transformer position option 2: Remote location (not using canopy)

Large

Electric details (Rest of the world)

LED LIGHT BAR
Warm white LED Strip, 24VDC, 18W
2700K

DRIVER / TRANSFORMER
Tridonic, 220-240V, ac 50/60Hz
* Dimmable



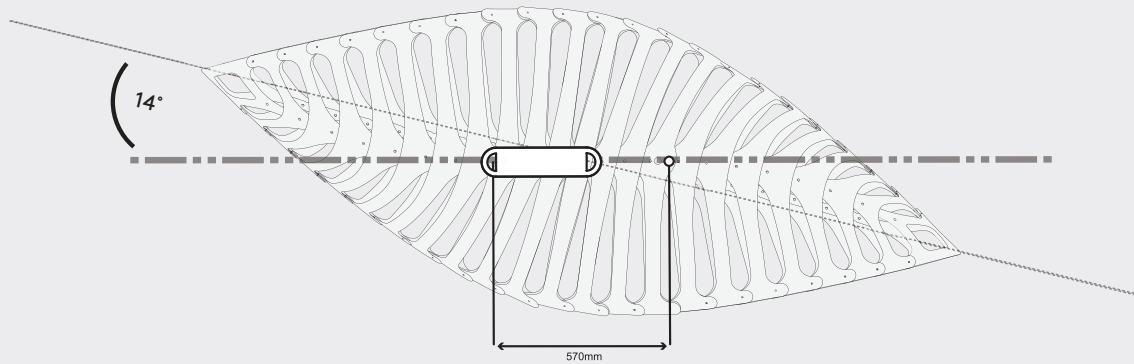
All line drawings are not to scale.

Installation

Navicula naturally hangs at 14 degree difference to alignment of canopy.

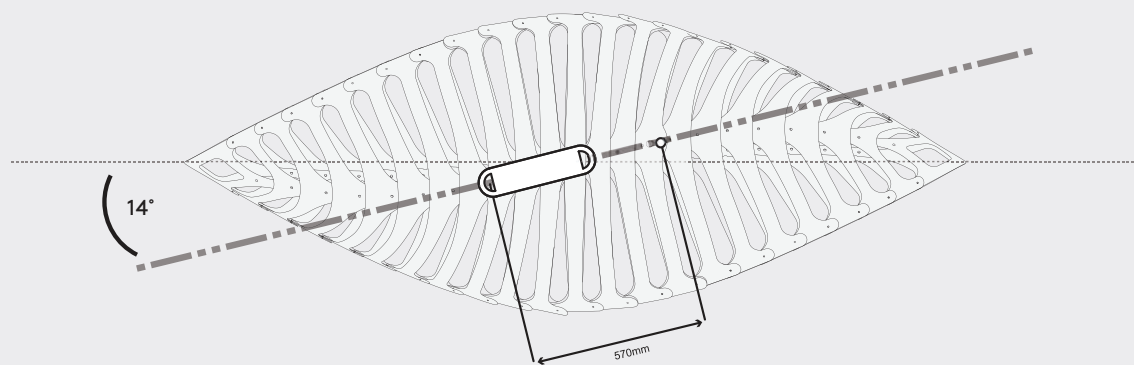
Large

a



To align canopy to an edge see diagram a.

b



To align Navicula to an edge see diagram b.

All line drawings are not to scale.

Installation (USA)

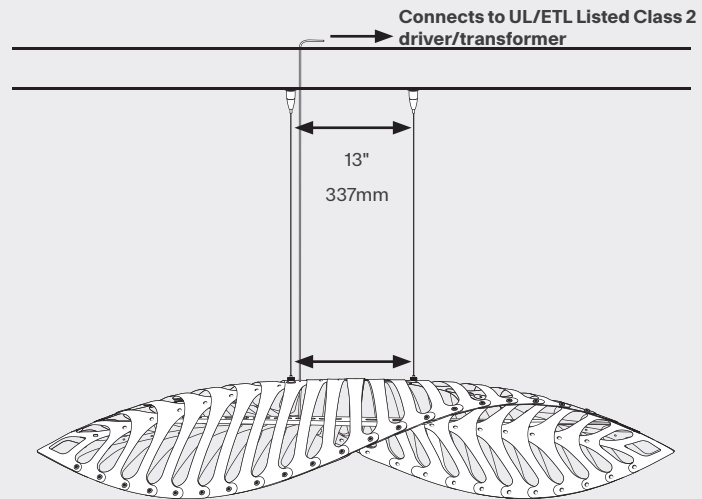
Driver/Transformer position: Remote location (not using canopy)

Small

USA details

LED LIGHT BAR
Warm white LED Strip, 24VDC, 8W
2700K

DRIVER / TRANSFORMER
UL/ETL Listed Class 2, 120VAC, 60Hz



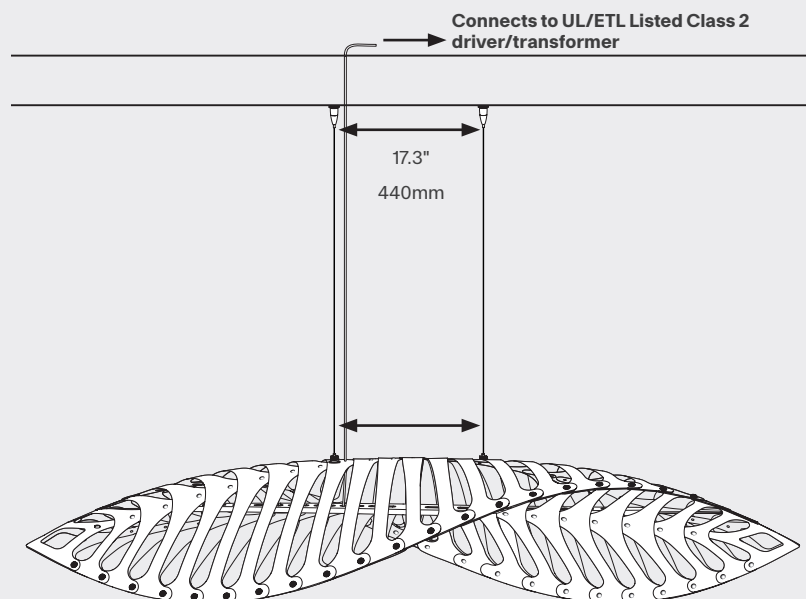
Driver/Transformer position: Remote location (not using canopy)

Medium

USA details

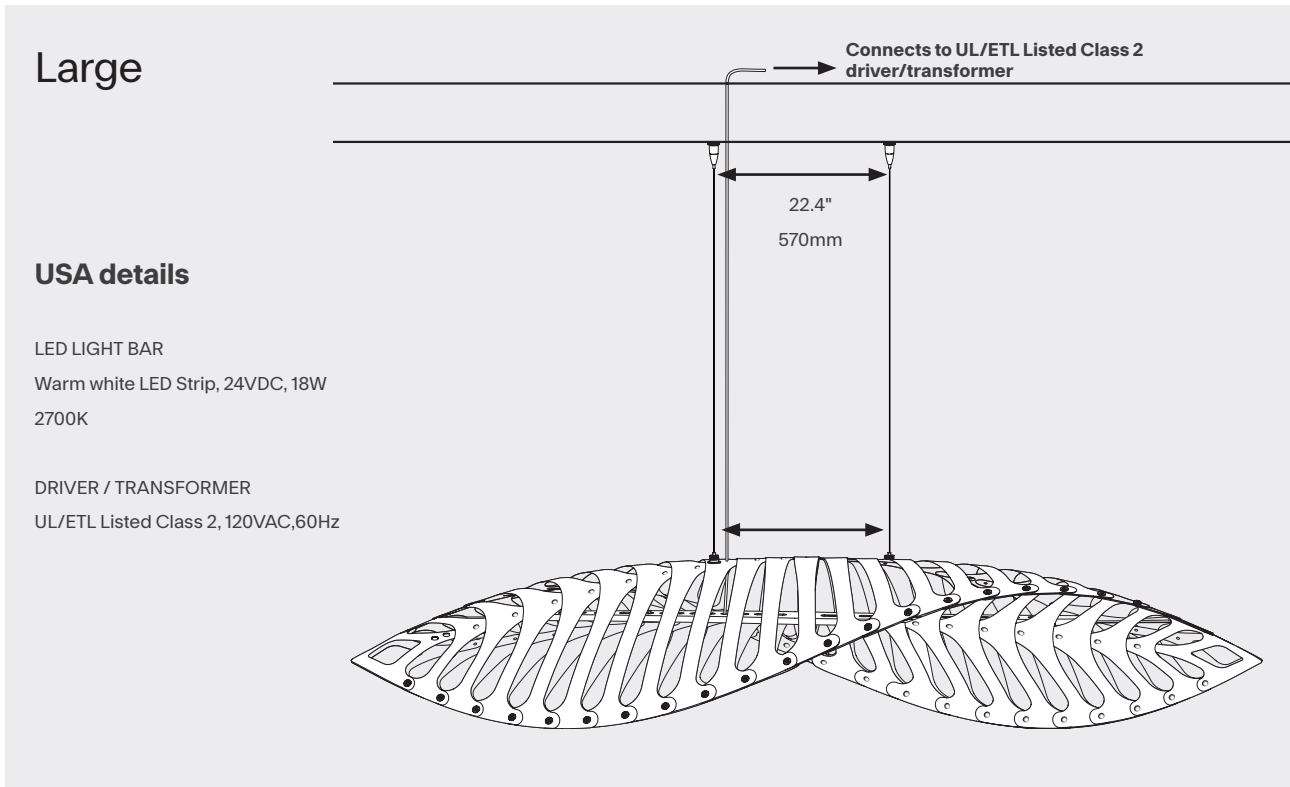
LED LIGHT BAR
Warm white LED Strip, 24VDC, 11W
2700K

DRIVER / TRANSFORMER
UL/ETL Listed Class 2, 120VAC, 60Hz



Installation (USA)

Driver/Transformer position: Remote location (not using canopy)

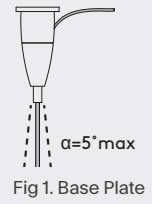


All line drawings are not to scale.

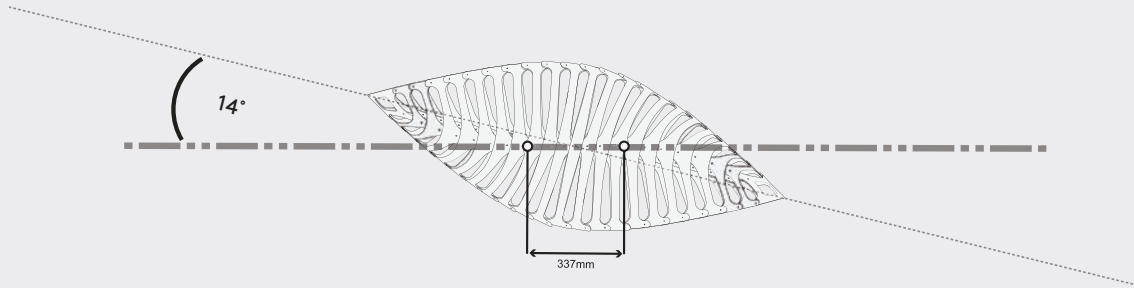
Installation (USA)

Navicula naturally hangs at 14 degree difference to alignment of cone gripper.

Small

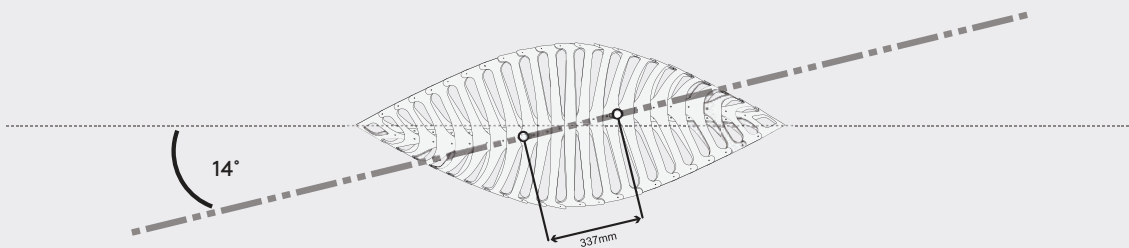


a



To align cone gripper to an edge see diagram a.

b



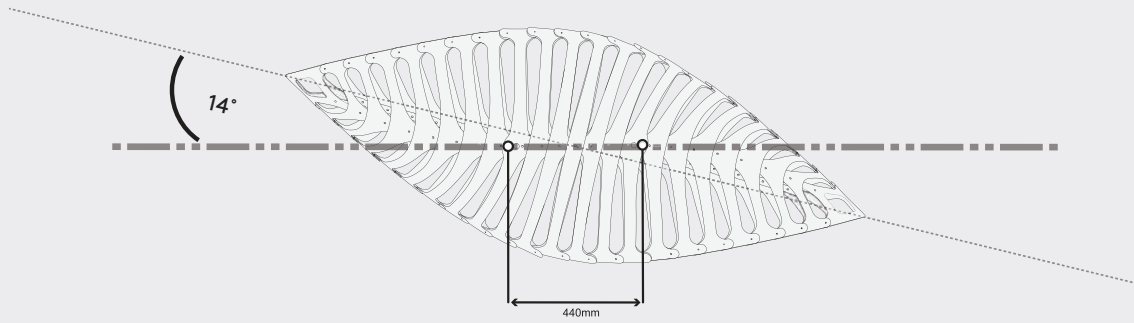
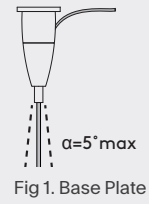
To align Navicula to an edge see diagram b.

Installation (USA)

Navicula naturally hangs at 14 degree difference to alignment of cone gripper.

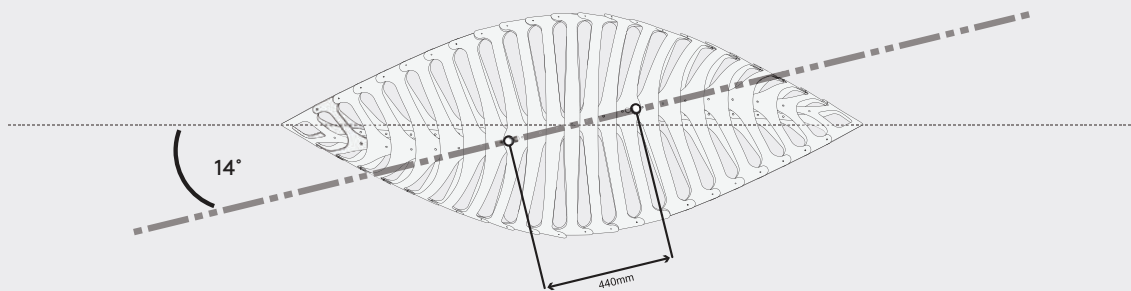
Medium

a



To align cone gripper to an edge see diagram a.

b



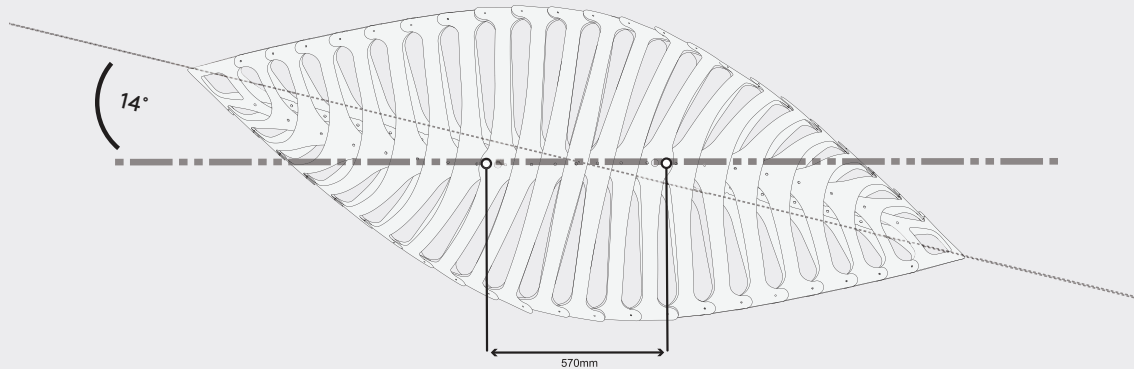
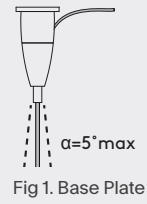
To align Navicula to an edge see diagram b.

Installation (USA)

Navicula naturally hangs at 14 degree difference to alignment of cone gripper.

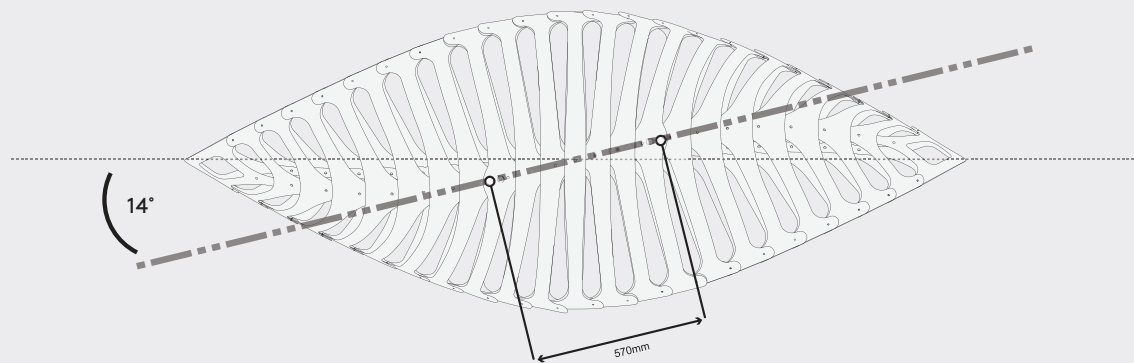
Large

a



To align cone gripper to an edge see diagram a.

b



To align Navicula to an edge see diagram b.

) david
trubridge

davidtrubridge.com

David Trubridge Studio

Hawke's Bay, New Zealand

info@davidtrubridge.com

+64 6 650 0204

Certified



Corporation



sustainable
coastlines